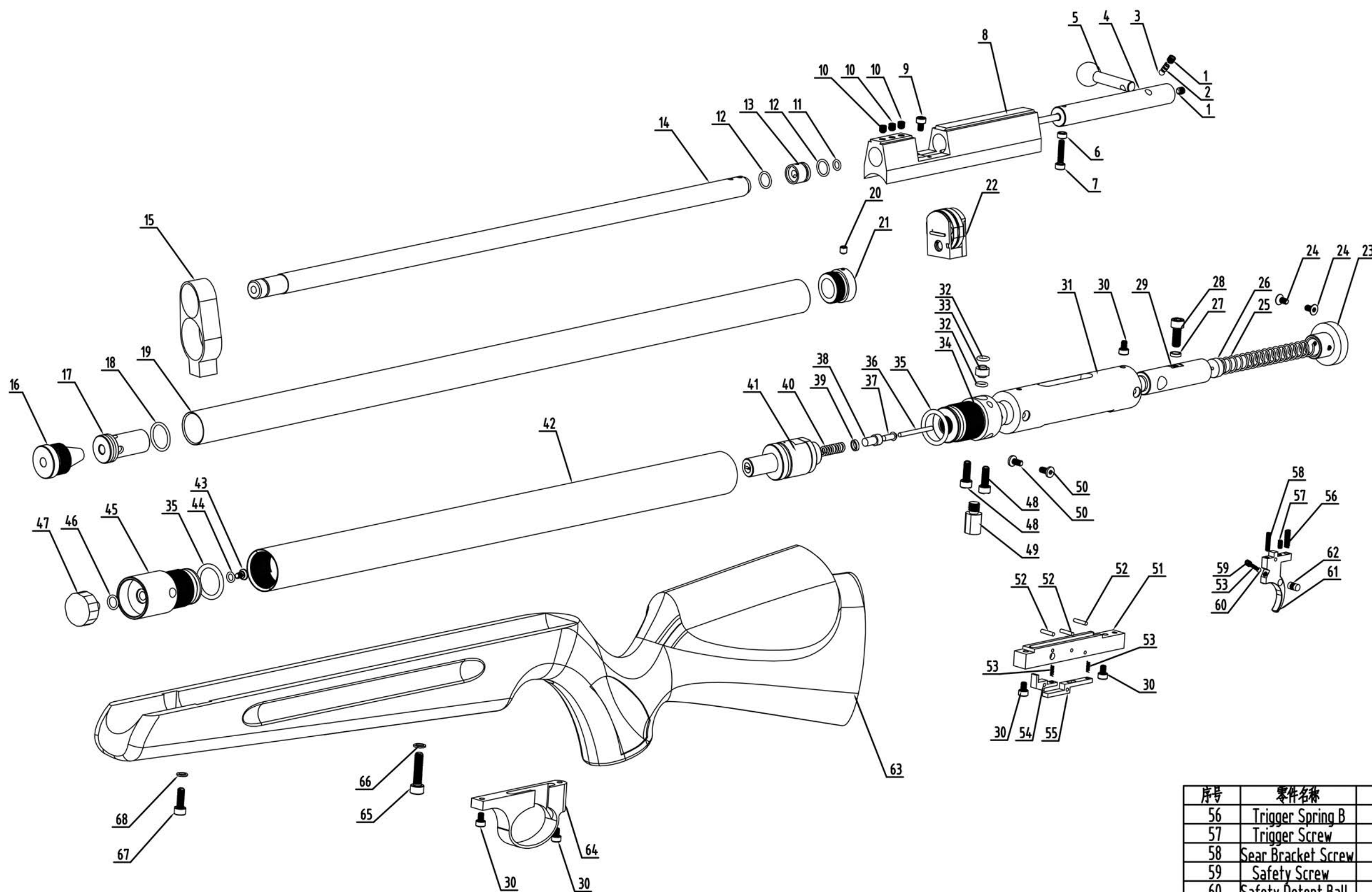


# ONIX KRON MULTITIRO



序号	零件名称	用量
1	Bolt Screw	2
2	Breech Probe Detent Spring	1
3	M4 Detent Ball	1
4	Breech Probe	1
5	Bolt	1
6	Breech Probe Screw Bushing	1
7	Breech Probe Screw	1
8	Breech	1
9	Breech Upper Screw	1
10	Barrel Fixing Screw	3
11	Breech O ring	1
12	Barrel O ring	2
13	Loading Port Brass Sleeve	1
14	Barrel	1
15	Barrel Reservoir Mount	1
16	Suppresser Tube Front Cover	1
17	Suppresser Separation	1
18	Suppresser Separation O-Ring	1
19	Suppresser Tube	1
20	Suppresser Tube Rear Cover Screw	1
21	Suppresser Tube Rear Cover	1
22	Magazine Assembly	1
23	Piston Shroud Cover	1
24	Piston Shroud Cover Screw	2
25	Piston Spring	1
26	Hammer	1
27	Piston Screw Bushing	1
28	Piston Screw	1
29	Piston	1
30	Breech Upper Screw	5
31	Piston Shroud	1
32	Exhaust Valve Connector O ring	2
33	Exhaust Valve Connector	1
34	Exhaust Valve	1
35	Valve O ring	2
36	Valve Core Pin	1
37	Valve Core	1
38	Exhaust Valve Core Sleeve	1
39	Exhaust Valve Spring Bushing	1
40	Exhaust Valve Spring	1
41	Constant Valve Assembly	1
42	Air Reservoir	1
43	Intake Valve Screw	1
44	Intake Valve O ring	1
45	Intake Valve	1
46	Pressure Gauge O ring	1
47	Pressure Gauge	1
48	Breech Lower Screw	2
49	Wood Stock Screw Nut	1
50	Valve Body Fixing Screw	2
51	Trigger Base	1
52	Trigger Pin	3
53	Trigger Spring A	3
54	Sear	1
55	Sear Bracket	1

序号	零件名称	用量
56	Trigger Spring B	1
57	Trigger Screw	1
58	Sear Bracket Screw	1
59	Safety Screw	1
60	Safety Detent Ball	1
61	Trigger	1
62	Safety	1
63	Wood Stock	1
64	Trigger Guard	1
65	Wood Stock Screw	1
66	Wood Stock Screw Washer	1
67	Reservoir Mount Lower Screw	1
68	Mount Lower Screw Washer	1

设计 Designed by \_\_\_\_\_  
 审核 Reviewed by \_\_\_\_\_  
 批准 Approved by \_\_\_\_\_