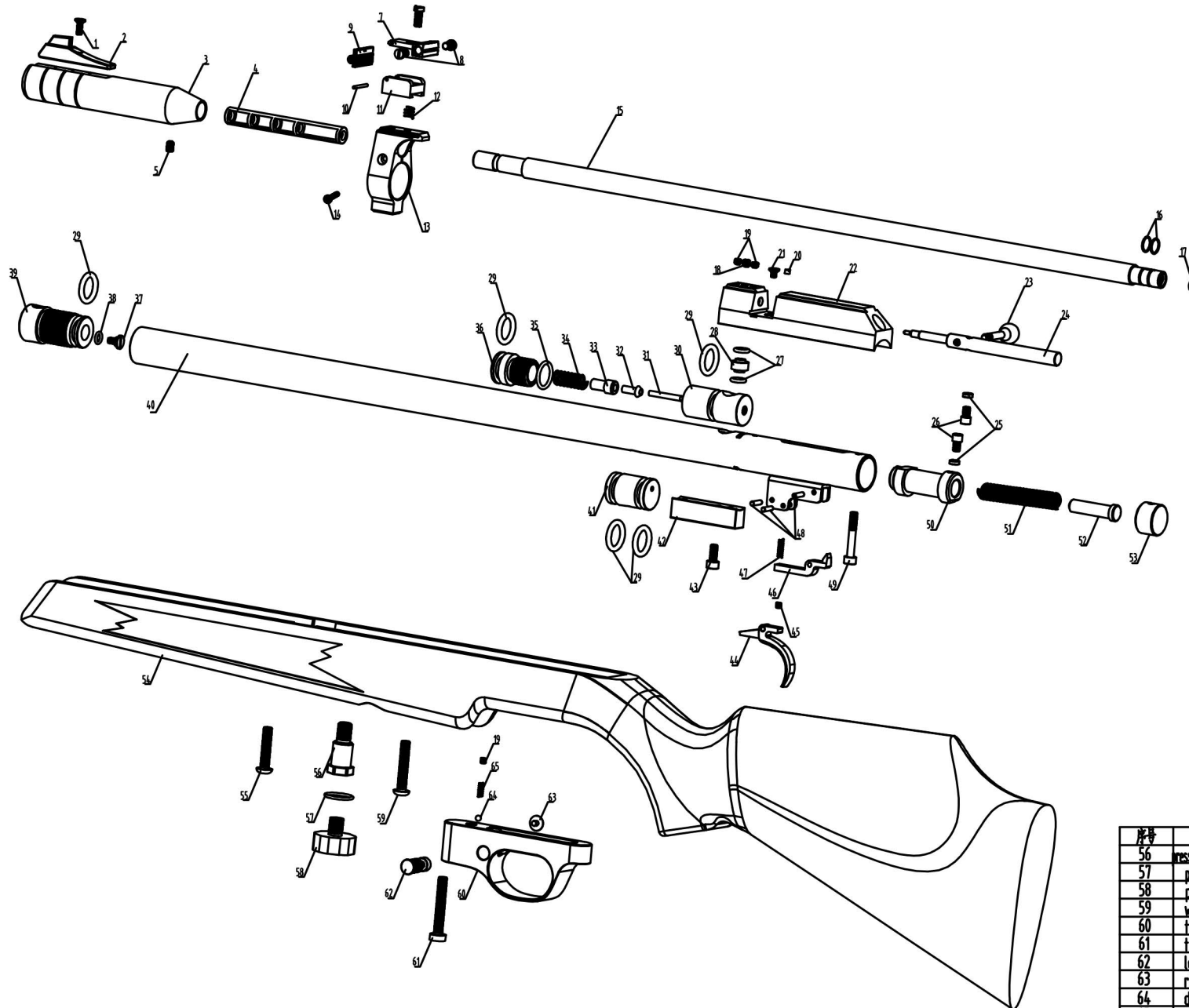


ONIX INITZIA



序号	零件名称	用量
1	front sight1	1
2	front sight	1
3	suppressor	1
4	suppressor insert	1
5	suppressor screw	1
6	elevation screw	1
7	rear sight base	1
8	windage screw	2
9	rear sight	1
10	rear sight base pin	1
11	rear sight block	1
12	rear sight block	1
13	air reservoir mount	1
14	air reservoir fixing screw	1
15	barrel	1
16	barrel O ring	2
17	breech O ring	1
18	safety screw	1
19	barrel fixing screw	3
20	insert magnet1	1
21	rear sight screw	1
22	breech	1
23	bolt	1
24	firing pin	1
25	piston screw bushing	2
26	piston screw	2
27	valve connector O ring	2
28	valve connector	1
29	valve O ring1	5
30	exhaust valve body 2	1
31	exhaust valve core pin	1
32	exhaust valve core	1
33	exhaust valve core cover	1
34	valve spring	1
35	valve O ring 2	1
36	exhaust valve 1	1
37	exhaust valve screw	1
38	intake valve O ring	1
39	intake valve	1
40	air reservoir assembly	1
41	pressure gauge connector	1
42	trigger base	1
43	trigger base screw	1
44	trigger	1
45	trigger screw	1
46	sear	1
47	trigger spring	1
48	trigger pin	3
49	breech lower screw	1
50	piston	1
51	piston spring	1
52	piston rod	1
53	piston cover	1
54	wood stock	1
55	air reservoir mount	1

序号	零件名称	用量
56	pressure gauge connector sleeve	1
57	pressure gauge O ring	1
58	pressure gauge	1
59	wood stock screw	1
60	trigger guard	1
61	trigger guard screw	1
62	left safety button	1
63	right safety button	1
64	detent ball	1
65	safety spring	1